



2018-02-16

2 / 3

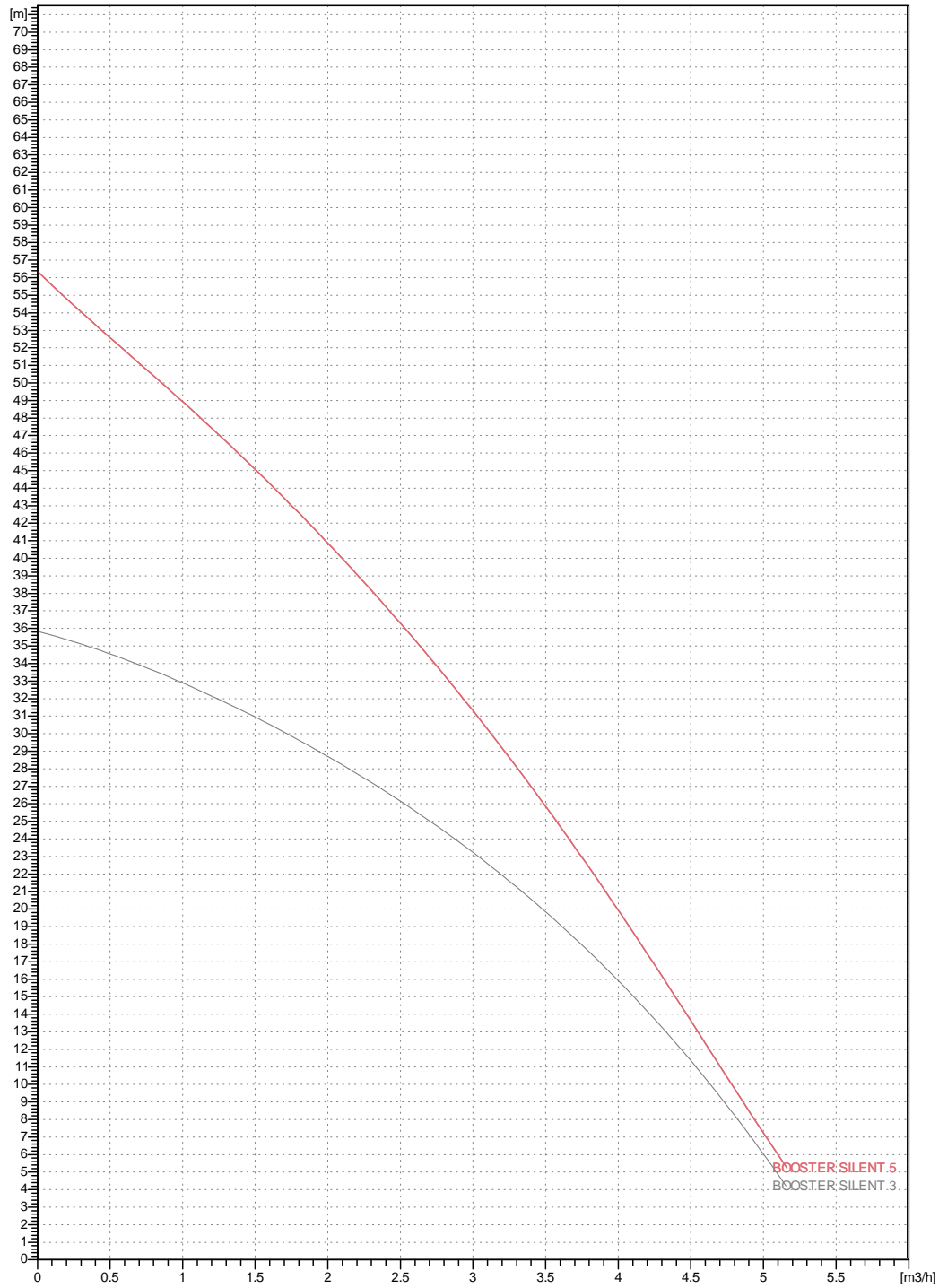
DAB PUMPS S.p.A.
Via Marco Polo, 14 - 35035 Mestrino (PD), Italy
Tel. +39 049 5125000 - Fax +39 049 5125950
www.dabpumps.com

E-mail

- 31
0883641734
- sales.heliossz@gmail.com

BOOSTER SILENT 5 M

ISO 9906



()

0 m³/h 0 m 2800 rpm

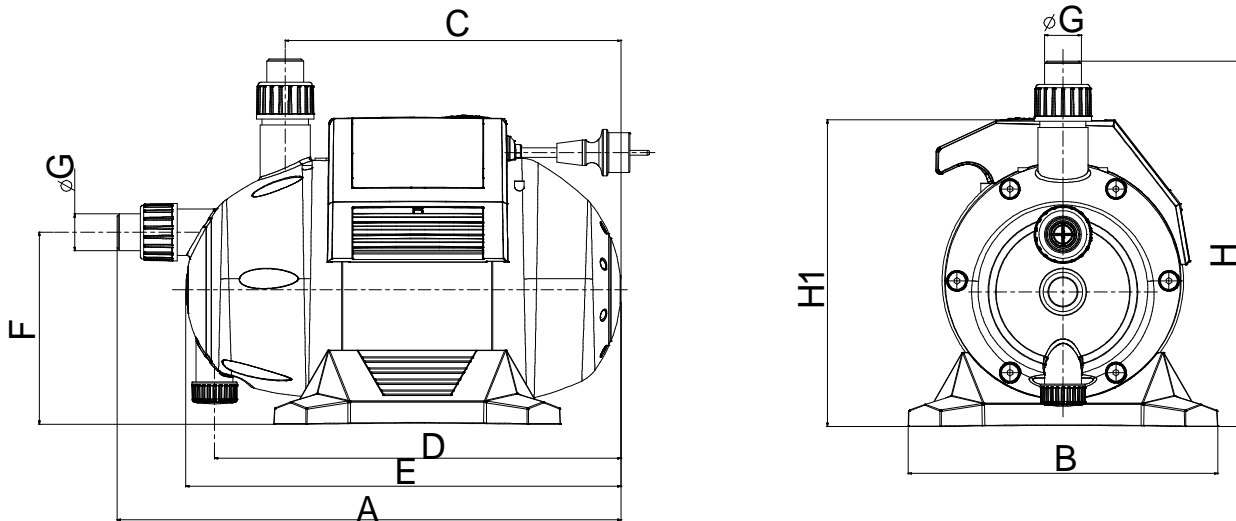
ID

2018-02-16

E-mail

- 31
0883641734
-
sales.heliossz@gmail.com

BOOSTER SILENT 5 M



Dimensions in mm

1	A	455				
2	B	280				
3	C	305				
4	D	370				
5	E	395				
6	F	175				
7	G	33				
8	H	330				
9	H1	280				

ID

2018-02-16